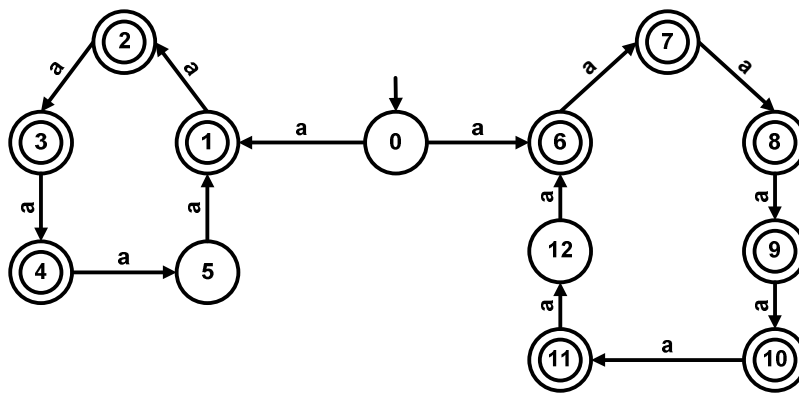
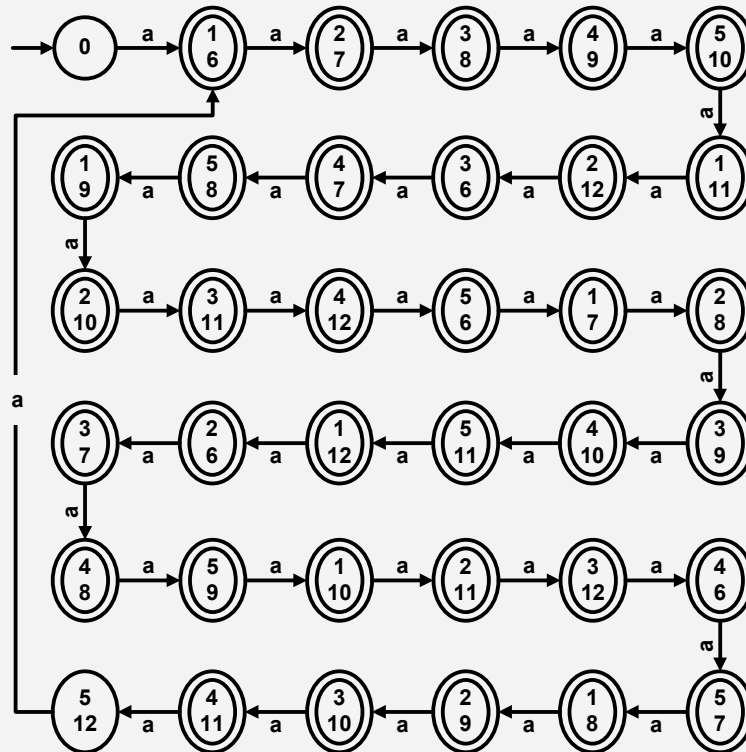


Homework #5

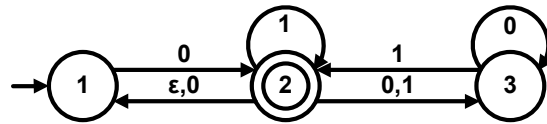
Convert the following NFA to DFA.



Answer:



Convert the following NFA to DFA.



Answer:

