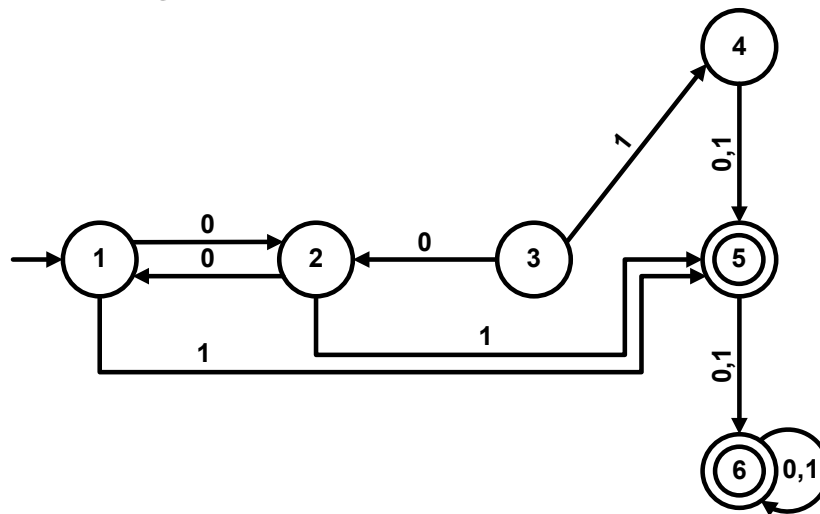
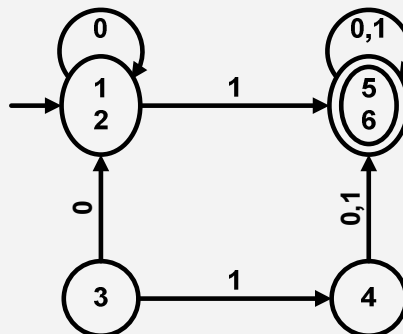


Quiz #3

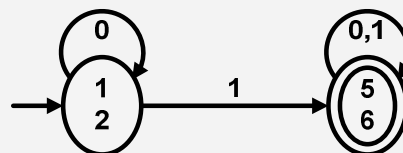
Simplify the following DFA.



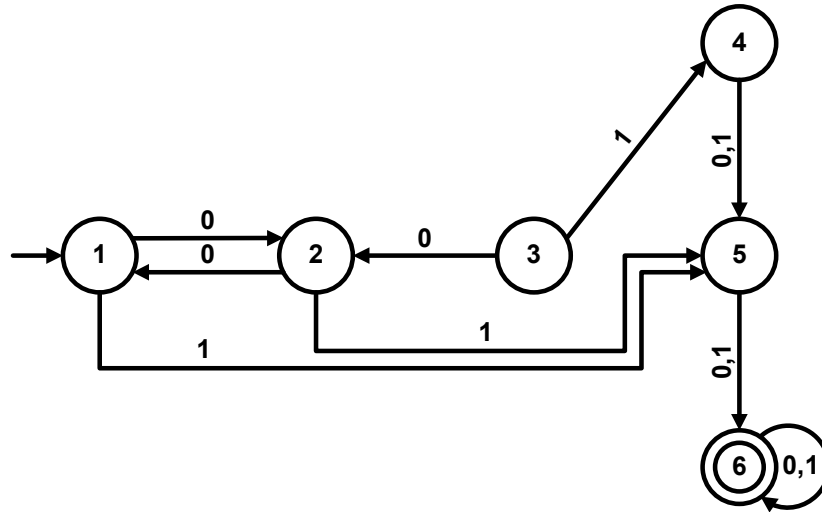
Answer:



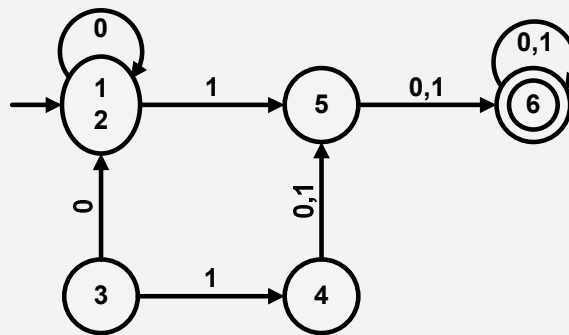
As we see, there is no way to get to states 3 and 4. In the final DFA, we can omit these un-reachable states.



Simplify the following DFA.



Answer:



As we see, there is no way to get to states 3 and 4. In the final DFA, we can omit these un-reachable states.

